

fridababy®
3-IN-1 AIR PURIFIER
 3-IN-1 + SOUND MACHINE + NIGHTLIGHT
USER MANUAL



fridababy®
3-IN-1 AIR PURIFIER
 3-IN-1 + SOUND MACHINE + NIGHTLIGHT

Take a deeeeeeeep breath.
 Clean air is here.

Let's be honest, there's some nasty stuff floating in the air around us. Banish the beasts with our 3-in-1 Air Purifier + Sound Machine + Nightlight. Set this powerhouse up and let it do the cleaning. Guide your lil' squirmier to sleep with soothing sounds and fairy tale lights. Breathe easy knowing you're doing everything you can.

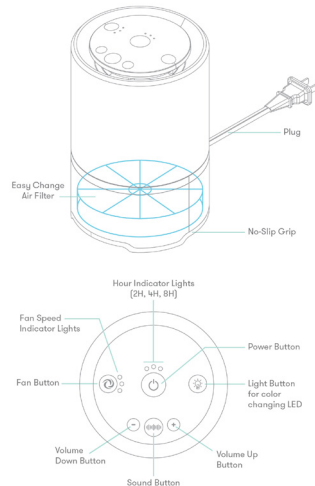
**PURIFY.
 BREATHE.
 SLEEP.
 REPEAT.**






TABLE OF CONTENTS:

SPECIFICATIONS	5
FEATURES	6
WARNINGS	7
OPERATING INSTRUCTIONS	9
CLEANING	12
TROUBLESHOOTING	14

SPECIFICATIONS:



FEATURES:

-  **AIR PURIFIER** - This True HEPA + activated carbon filter purifies 150 square feet of air by absorbing dust, particles, and much more. It will remove odors, volatile organic compounds, and filter toxic and harmful carcinogenic particles.
-  **COLOR CHANGING NIGHTLIGHT** - Paint the room with soothing lights or pick a color to match your mood. The 3-in-1 Air Purifier lets you customize your space.
-  **SOUND MACHINE** - Control what soothing noise you want to hear and how loud you want it to be. Set your own scene.

TECHNICAL DATA:

Product Name: 3-in-1 Air Purifier + Nightlight + Sound Machine
 Model Number: GL-2103
 Input Voltage: AC 110-265V
 Rated Power: 33W
 Dimensions: 128.54x192.9x128.57mm
 Power Source: 310v
 Net Weight: 641g
 Coverage Area: 150 sq ft

Use only with a Class 2 Power Supply Model

WARNINGS:

- PLEASE READ AND SAVE THESE INSTRUCTIONS**
- **STRANGULATION HAZARD!**
 - Keep out of reach of children.
 - This is not a toy. For adult use only.
 - To reduce the risk of electric shocks:
 - Remove the power plug before cleaning or moving the unit.
 - Make sure your hands are dry before inserting or removing the power plug.
 - Do not rinse the unit with water.
 - Do not place the unit near water sources or flammable items.
 - This appliance has a polarized plug (meaning one blade is wider than the other). To reduce the risk of electric shock, this plug is intended to fit in a polarized outlet in only one way. If the plug does not fit fully in the outlet, reverse the plug. If it still does not fit, contact a qualified electrician. Do not attempt to defeat this safety feature.
 - Do not clean the unit with any type of acid-based solution to prevent damage and electric shocks.
 - Do not place any object into the power input port or the unit will not work.
 - Do not place any object in the air outlet area or the unit will not work.
 - Not serviceable. Do not open the housing.
 - Do not alter or modify the purifier in any way.
 - To reduce the risk of fire: Inspect before using. If the cord or purifier shows signs of damage, do not use. Discontinue usage if there are any signs of malfunction such as smoke, smells, or excessive heat. Use in an open area. Do not cover or enclose during usage. Use only in the upright position.

WARNING: To reduce the risk of fire or electric shock, do not use this purifier with any solid-state speed control device.

FCC STATEMENT:

IMPORTANT INFORMATION REQUIRED BY THE FCC

This device complies with Part 15 of the FCC Rules. Operation is subject to the following two conditions: (1) this device may not cause harmful interference; and (2) this device must accept any interference received, including interference that may cause undesirable operation.

NOTE: This equipment has been tested and found to comply with the limits for a Class B digital device, pursuant to part 15 of the FCC Rules. These limits are designed to provide reasonable protection against harmful interference in a residential installation. This equipment generates, uses and can radiate radio frequency energy and, if not installed and used in accordance with the instructions, may cause harmful interference to radio communications. However, there is no guarantee that interference will not occur in a particular installation. If this equipment does cause harmful interference to radio or television reception, which can be determined by turning the equipment off and on, the user is encouraged to try to correct the interference by one or more of the following measures:

Reorient or relocate the receiving antenna.

Increase the separation between the equipment and receiver.

Connect the equipment into an outlet on a circuit different from that to which the receiver is connected.

Consult the dealer or an experienced radio/TV technician for help.

CAUTION: Changes or modifications not expressly approved by the party responsible for compliance could void the user's authority to operate the equipment.

OPERATING INSTRUCTIONS:

1. Press the Power Button 1x to turn the unit on.
2. Press the Power Button 1x to turn it off.

2H, 4H, 8H DURATION:

2H: 2 Hour Duration

1. Press + hold the Power button for 3 seconds
2. 2H LED light will blink.
3. 2H will be auto selected in 4 seconds.
4. The unit will shut off automatically after 2 hours.

4H: 4 Hour Duration

1. After accessing the 2H LED, press the Power button again
2. 4H will be auto selected in 4 seconds.
3. The unit will shut off automatically after 4 hours.

8H: 8 Hour Duration

1. After accessing the 4H LED, press the Power button again
2. 8H will be auto selected in 4 seconds.
3. The unit will shut off automatically after 8 hours.

AIR PURIFIER:

1. Press the Fan button for level 1.
- The first LED will light up.
2. Press the button again for level 2.
- The first and second LEDs will light up
3. Press the button a third time for level 3.
- All the LEDs will light up.
4. Press the button again to turn the fan off.
- All LEDs will be unlit.

NIGHTLIGHT:

1. Press the Nightlight button 1 time to turn on rotating colors.
2. Press it again to pick a specific color.
3. Keep tapping until desired color is lit.
4. Press the button again to turn the nightlight off.

SOUND MACHINE:

There are two sound options.

1. Press the Sound Machine button 1 time to start white noise.
2. Press it again to start the alternate ocean wave sound.
3. Press it again to stop sound.

VOLUME CONTROL:

1. Press Volume Down button to reduce volume from 1-5.
2. Press Volume Up button to increase volume from 1-5

CHILD LOCK:

Press the Nightlight and Fan buttons at the same time and hold for 3 seconds. The unit will beep to let you know the child lock is on.



CLEANING:



ALWAYS UNPLUG THE UNIT BEFORE CLEANING OR REPLACING THE FILTER.

OUTER SURFACE OF THE UNIT:

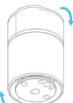
Wipe down the unit with a damp (not wet) cloth.

CHANGING THE FILTER: Change the filter every 90 days.

3-in-1 Air Purifier Replacement Filters can be purchased separately *only use model 107b Fridababy 3-in-1 Air Purifier Replacement Filters.



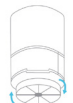
After 90 days change out the filter.



1. Turn the unit upside down to change the filter.



2. Turn the filter counter-clockwise to unlock the old filter.



3. Lock in the new filter by turning it clockwise.

LET'S CLEAR THE AIR, BABY.

TROUBLESHOOTING GUIDE:

CHECK THE FOLLOWING IF YOUR AIR PURIFIER IS NOT WORKING CORRECTLY:

PROBLEM	SOLUTION
Unit isn't working	Make sure the power is on - press the power button. Make sure the power cable isn't loose or broken - if it is broken, replace it.
Unit is producing a bad smell	Check if the filter is smelly - replace it if it is. Check that the filter hasn't expired - if it has replace it. Check if it's time to replace the filters - replace it if it is. [filters should be replaced every 90 days].
Unit isn't purifying efficiently	Check that the unit is not in an unventilated area or being blocked by something - if it is change its location or remove blockage.
No air is coming out	Check the fan to make sure no foreign objects like dust are blocking it - if it is blocked, clean out the debris.
Unit is producing smoke or is overheating	Please discontinue use right away.

LOVE IT? LEAVE A REVIEW.

fridababy.com

NOT IN LOVE? WE'VE GOT YOU COVERED.

fussbuster@fridababy.com
1-833-WTF-FRIDA
(1-833-983-3743)

Since we offer a lifetime warranty and will exchange a faulty unit on our dime, always consider dropping us a line before making a return.

